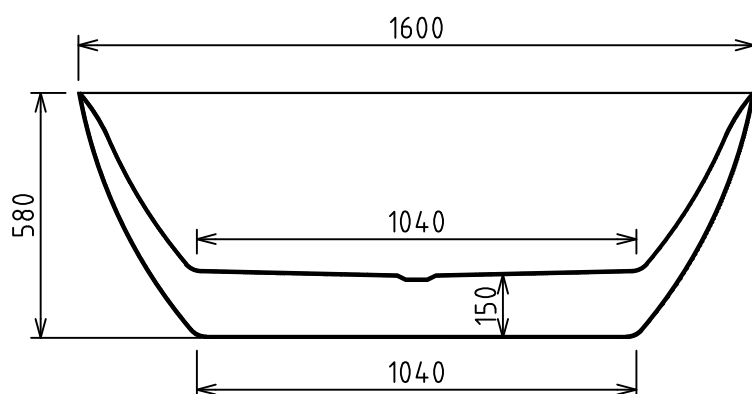
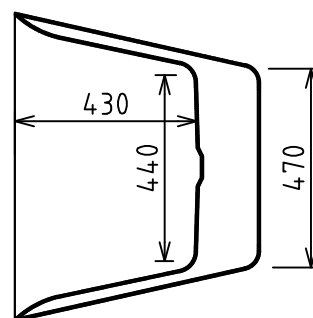
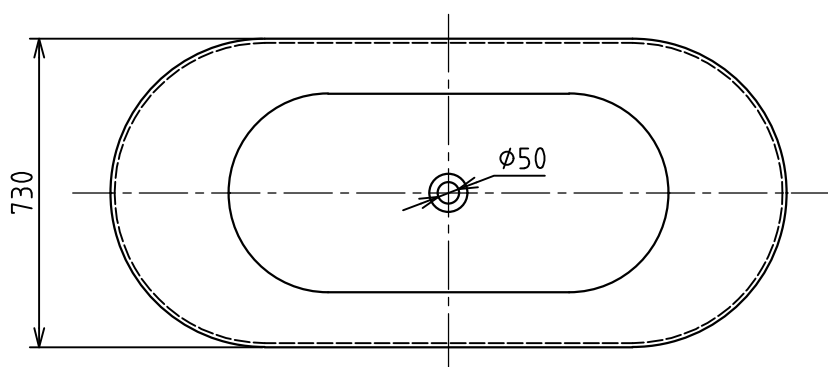
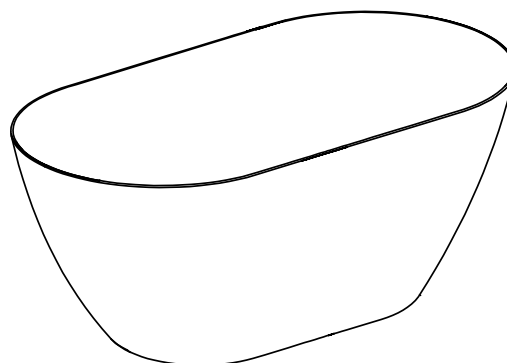


westerbergs dyning 1600



20240913 Art.nr: 20081044
Westerbergs Badrum part of Hafa Brand Group AB.